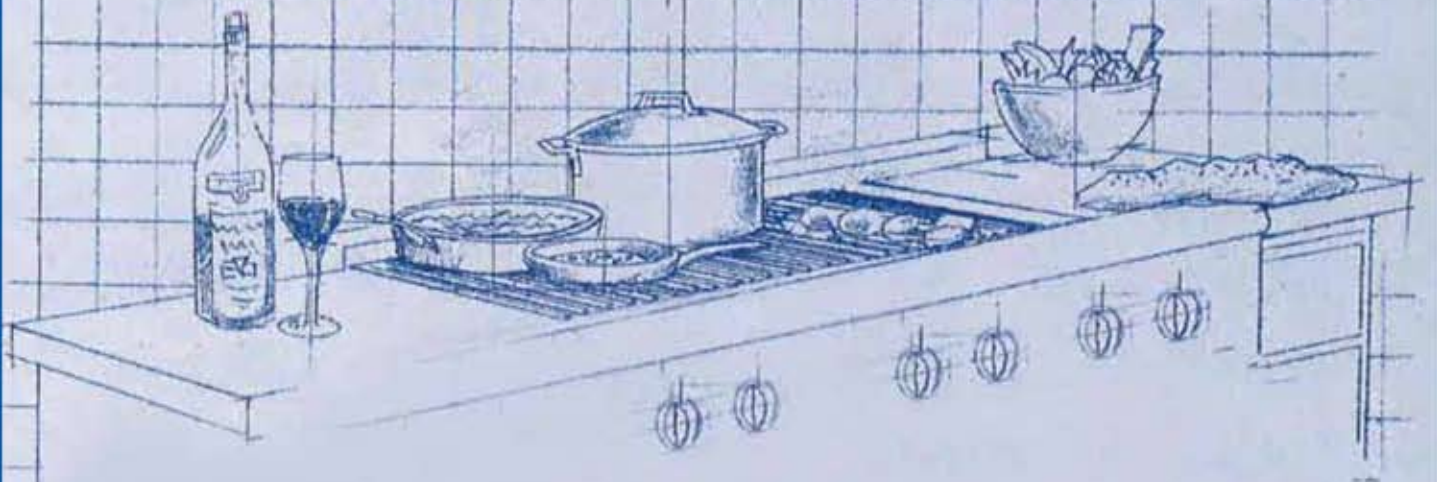


A technical line drawing of a range hood, showing its curved front panel, mounting brackets, and a horizontal bar with several screws. The drawing is set against a grid background.

# ***Prizer Hoods***



## **INSTALLATION INSTRUCTIONS**

*Remote Fans*  
**CFMR600, CFMR1000, CFMR1400**

**PLEASE READ COMPLETE INSTRUCTIONS BEFORE PROCEEDING.  
INSTALLATION MUST COMPLY WITH ALL LOCAL CODES.**

IMPORTANT: Save these instructions for the Local Electrical Inspector's use.  
INSTALLER: Please leave these instructions with this unit for the owner.  
OWNER: Please retain these instructions for future reference.  
SAFETY Turn power circuit OFF at the service panel and lock panel door  
WARNING: before wiring this unit.

---

**IMPORTANT SAFETY INSTRUCTIONS**

**CAUTION - TO REDUCE THE RISK OF FIRE, ELECTRIC SHOCK, OR INJURY TO PEOPLE, OBSERVE THE FOLLOWING:**

1. Use this rangehood only in the manner intended by the manufacturer. If you have any questions, contact the manufacturer - Prizer Hoods.
2. Before servicing or cleaning the unit, switch power off at service panel and lock the service disconnecting means to prevent power from being switched on accidentally. When the service disconnecting means cannot be locked, attach a tag to the service panel to indicate power has been switched off for maintenance.
3. Install this rangehood only with remote fan models rated maximum 12.8A or in-hood fans manufactured by Prizer Hoods, models CFM300, CFM600, CFM1200.

**CAUTION - TO REDUCE THE RISK OF A RANGETOP GREASE FIRE:**

1. Never leave cooktop surface unattended while on high setting.  
  
Boilovers cause smoke and greasy spillovers may ignite. Heat oils slowly on low or medium settings.
2. Hood fan should always be **ON** when cooking on high heat or when flambeing foods (i.e. Crepes Suzette, Cherries Jubilee, Peppercorn Beef Flambe.)
3. Clean in-hood fans frequently. Do not allow grease to accumulate on fan or baffle filters.
4. Always use cookware appropriate for the size of the surface element.

**CAUTION - TO REDUCE THE RISK OF INJURY TO PEOPLE, IN THE EVENT OF A RANGETOP GREASE FIRE, OBSERVE THE FOLLOWING:**

1. SMOTHER FLAMES with a tight-fitting lid, cookie sheet, or other metal tray. Immediately turn the gas burner OFF.
2. PREVENT BURNS. If gas flames do not extinguish immediately; **EVACUATE AND CALL THE FIRE DEPARTMENT.**
3. NEVER PICK UP A FLAMING PAN as you may sustain burns.
4. NEVER USE WATER, wet dish-cloths or towels as a violent steam explosion will occur.
5. Use fire extinguisher **ONLY** if:
  - You know you have a class ABC extinguisher, and you already know how to operate it.
  - The fire is small and contained in the area where it started.
  - The fire department is being called.
  - You can fight the fire with your back to an exit.

**CAUTION: FOR GENERAL VENTILATION USE ONLY. DO NOT USE TO EXHAUST HAZARDOUS OR EXPLOSIVE MATERIALS OR VAPOR.**

## **SAFETY PROCEDURES FOR INSTALLING YOUR NEW PRIZER HOOD (continued)**

**CAUTION - TO REDUCE THE RISK OF FIRE, ELECTRIC SHOCK, OR INJURY TO PEOPLE, OBSERVE THE FOLLOWING:**

**CAUTION - FOR GENERAL VENTILATION USE ONLY. DO NOT USE TO EXHAUST HAZARDOUS OR EXPLOSIVE MATERIALS OR VAPORS.**

- A. Installation work and electrical wiring must be done by a qualified installer in accordance with all applicable codes and standards, including fire rated construction.
- B. Sufficient air is needed for proper combustion and gas exhaustion through the flue (duct cover) of fuel burning cooktop to prevent backdrafting. Follow the equipment manufacturer's guidelines and safety standards such as those published by the National Fire Protection Association (NFPA), and the American Society for Heating, Refrigeration and Air Conditioning Engineers (ASHRAE), and the local code authorities.
- C. When cutting/drilling into a wall or ceiling, avoid damage to electrical wiring and other hidden utilities.
- D. In-hood or in-line fans must be vented to the outdoors.
- E. If a ventilation unit is to be installed over a tub or shower, it must be marked as appropriate for the application and be connected to a GFCI (Ground Fault Circuit Interrupter) - protected branch circuit.
- F. NEVER place a control switch where it can be reached from a tub or shower.
- G. **CAUTION - TO REDUCE THE RISK OF FIRE WITHIN WALLS OR ROOFS, USE ONLY METAL DUCTWORK.**
- H. Install this hood in accordance with all requirements specified by the manufacturer of your cooktop/range.
- I. Install this hood using required clearance from cooking surface to combustible material specified in cooktop installation instructions.

---

---

## **READ AND SAVE**

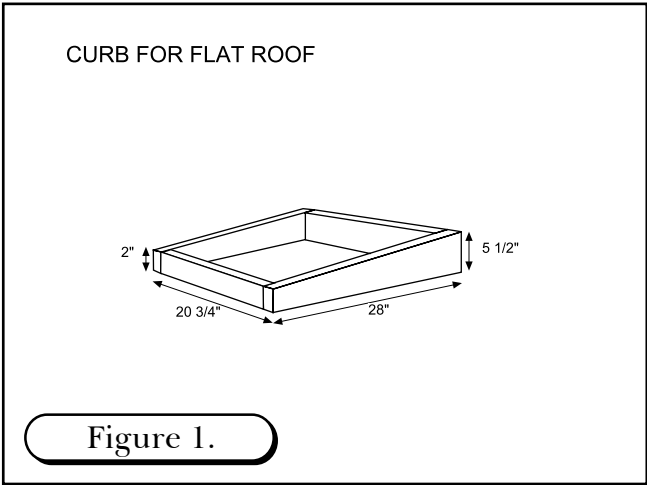
---

---

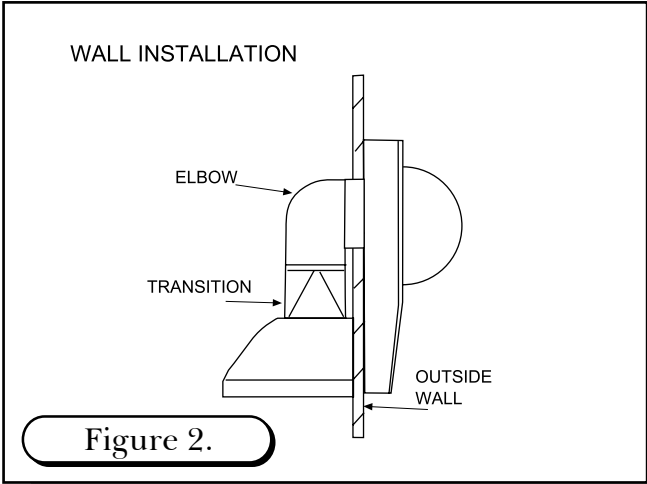
### **UPON RECEIVING YOUR HOOD...**

- The high degree of craftsmanship in the construction and finish of your hood requires careful handling to ensure proper installation.
- Do not remove your hood from its carton until you are ready to hang it.
- Do not store your hood anywhere other than within the carton. If it is necessary to remove your hood from the carton, place it on a blanket or padded area that will protect your hood from scratches or indentations.
- Do not lift the hood by its utensil rail. Place your fingers under the lower reveal of the hood. Grasp firmly and lift.
- Wearing cotton gloves are preferred. They will protect the surface from fine scratches and eliminate fingerprints.
- Remove all rings, watches, belt buckles, and jackets (snaps-zippers) to prevent scratches on the hood.
- If applicable, do not remove the cotton flannel from your hood until the installation process is complete. It will be necessary to remove only a small portion on the back-side for a wall mounted hood in order to position in place.
- Located within the hood cavity (behind the baffle filters) are component parts and halogen bulbs.

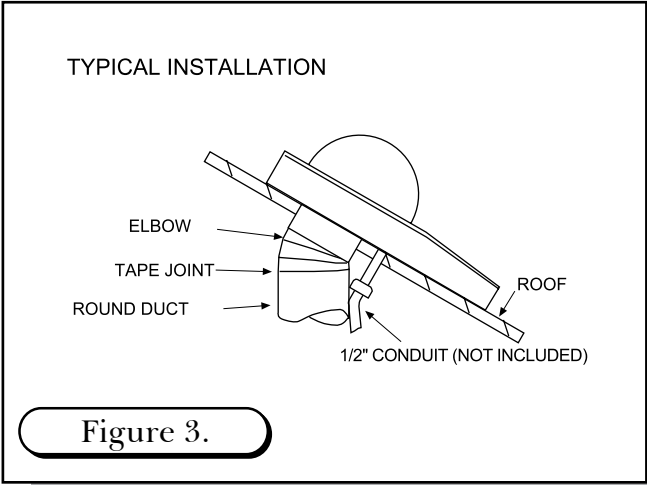
# MOUNTING OPTIONS FOR REMOTE FANS



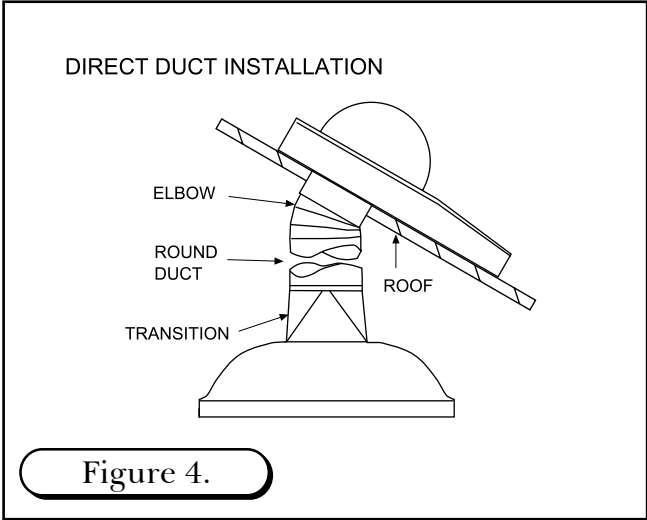
**CURB FOR FLAT ROOF**



**WALL INSTALLATION**



**TYPICAL INSTALLATION**



**DIRECT DUCT INSTALLATION**

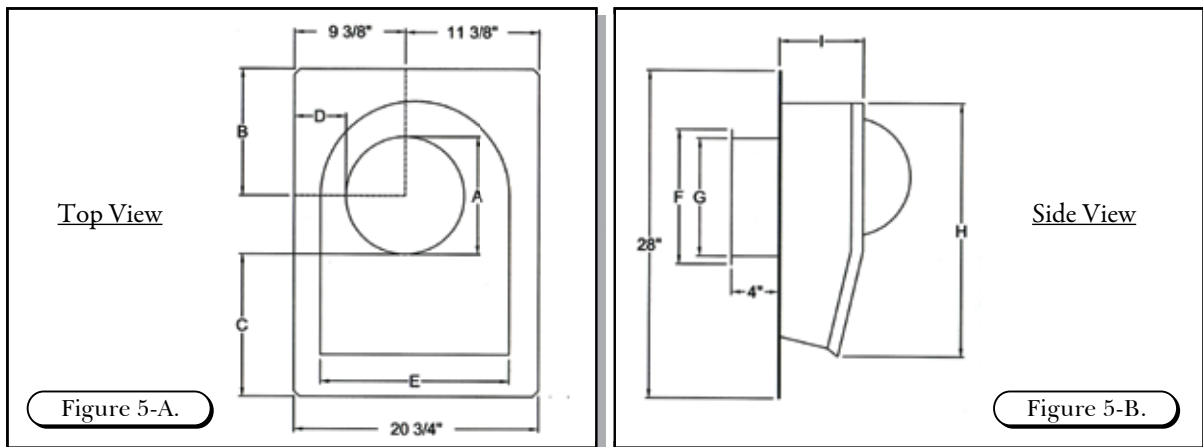
# MOUNTING REMOTE FANS ON ROOF OR OUTSIDE WALL

To prepare for mounting a remote fan, inspect the blower wheel to ensure it turns freely. Do not replace the top unit to the remote fan until the installation has been completed. A remote fan cannot be installed in a condition where the exhaust/discharge opening is less than 15" from the ground level. **NOTE:** There may be some local codes that will not permit this kind of installation. Heavy snow will prevent the damper from opening due to snow blockage. The installer must check all local codes for outdoor wall installation of the remote fan.

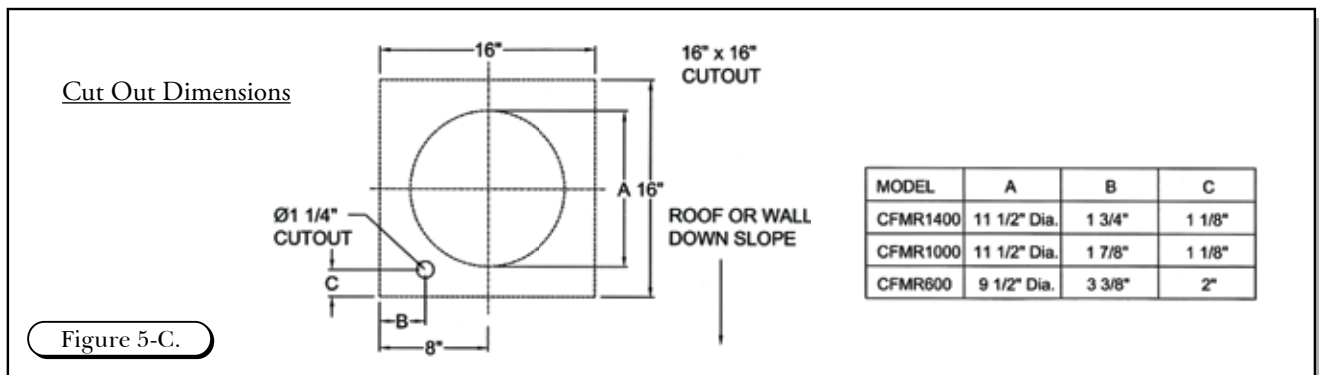
1. Cut out a round hole to accommodate the size ducting you will be using. Cut a second hole for the electrical conduit. (see Figure 5-C.)
2. When installing a remote fan on a flat roof or a roof with a pitch less than 1-1/2" in 12 inches, install the remote fan in such a way that the discharge (the lowest portion of the curb) is directed away from any prevailing winds.
3. When installing a remote fan on a roof or outside wall, direct the discharge (the lowest portion of the curb) pointing down the slope as this is in accordance with the Standard Roofing Procedures: front discharge edge should be on the top of the shingles and the rear edge underneath the shingles.

**NOTE:** The remote fan unit must be sealed between the roof (or outside wall) and the underside of the flange with roofing mastic to prevent leaks.

4. Connect the remote fan (CFMR600, CFMR1000, CFMR1400) to the exhaust system's round duct. Use an adjustable elbow to attach to the roof angle.
5. Using duct tape, seal all joints to prevent air leaks.
6. **NOTE:** Clearance to combustible material is 0".



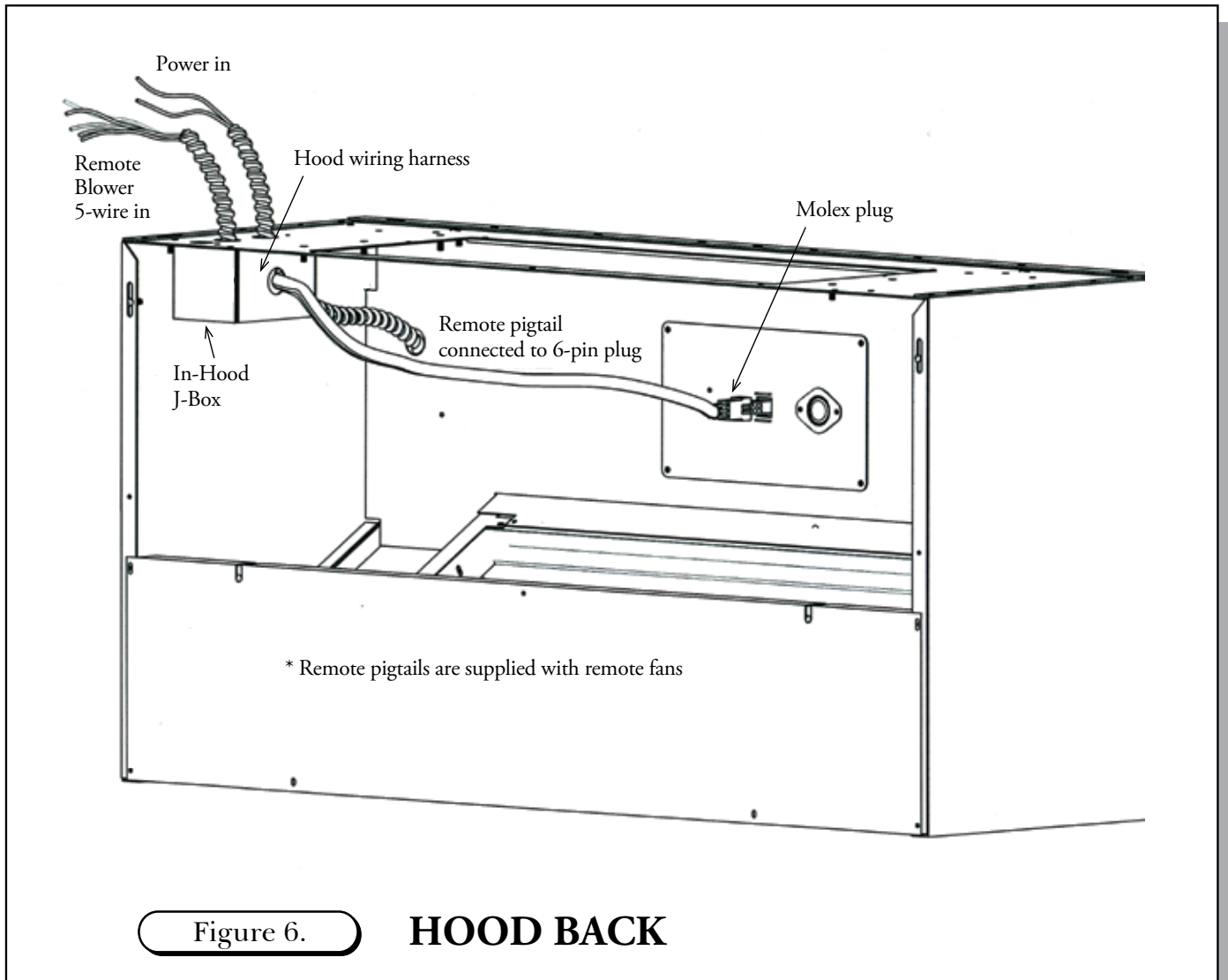
MODEL	A	B	C	D	E	F	G	H	I
CFMR1400	10" Dia.	10 3/4"	12 1/4"	4 3/8"	17 5/8"	10 1/2"	10"	26"	7 1/8"
CFMR1000	10" Dia.	10 3/4"	12 1/4"	4 1/4"	18"	10 1/2"	10"	25"	5 7/8"
CFMR600	8" Dia.	10 1/2"	13 1/2"	5 1/4"	15"	8 1/2"	8"	23 3/4"	5 7/8"



MODEL	A	B	C
CFMR1400	11 1/2" Dia.	1 3/4"	1 1/8"
CFMR1000	11 1/2" Dia.	1 7/8"	1 1/8"
CFMR600	9 1/2" Dia.	3 3/8"	2"

# CONNECTING THE 3-SPEED FAN CONTROL TO THE REMOTE FAN

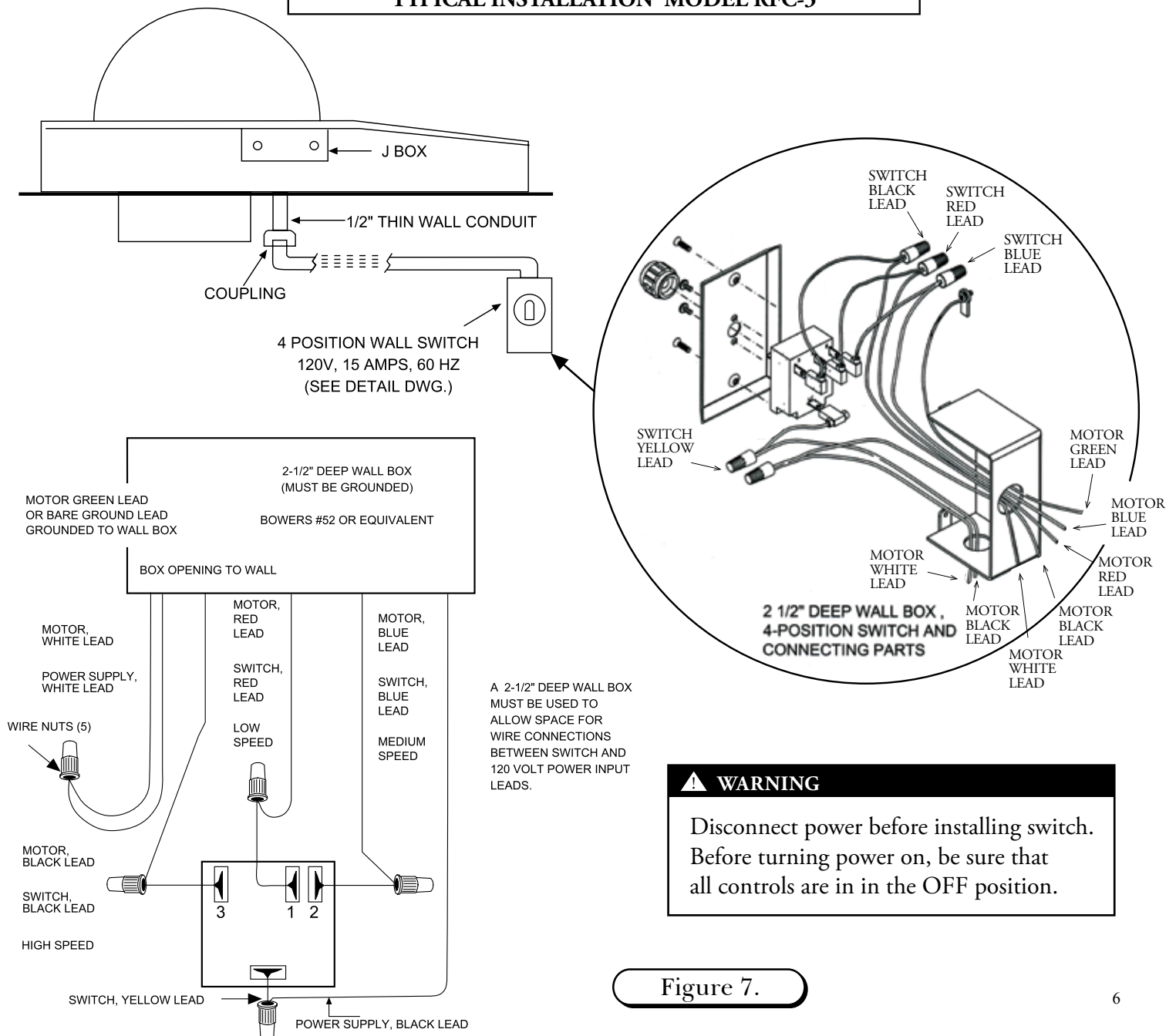
1. Power supply required for remote fans are 15 amps. @ 120V. AC, 60Hz. connected per local codes.
2. Run three #14 AWG. wires (black, white and green) from the power supply at the electrical circuit panel to the hood J-box. (see Figure 6.)
3. Run five wires from hood J-box through the walls to the remote fan, using color coded wires corresponding to color codes in diagram. (see Figure 7. - Page 6)
4. Locate the white plastic Molex electrical connector in the hood. This connector feeds the power to the remote fan. Use the receptacle connector provided with the fan and plug to the connector in the hood. Within the J-box, connect the black, white, red and blue wires from the remote fan to the black, white, red and blue wires of the "pigtail". Connect the green (ground) wire to the ground wire from the service panel. (see Figure 6.)



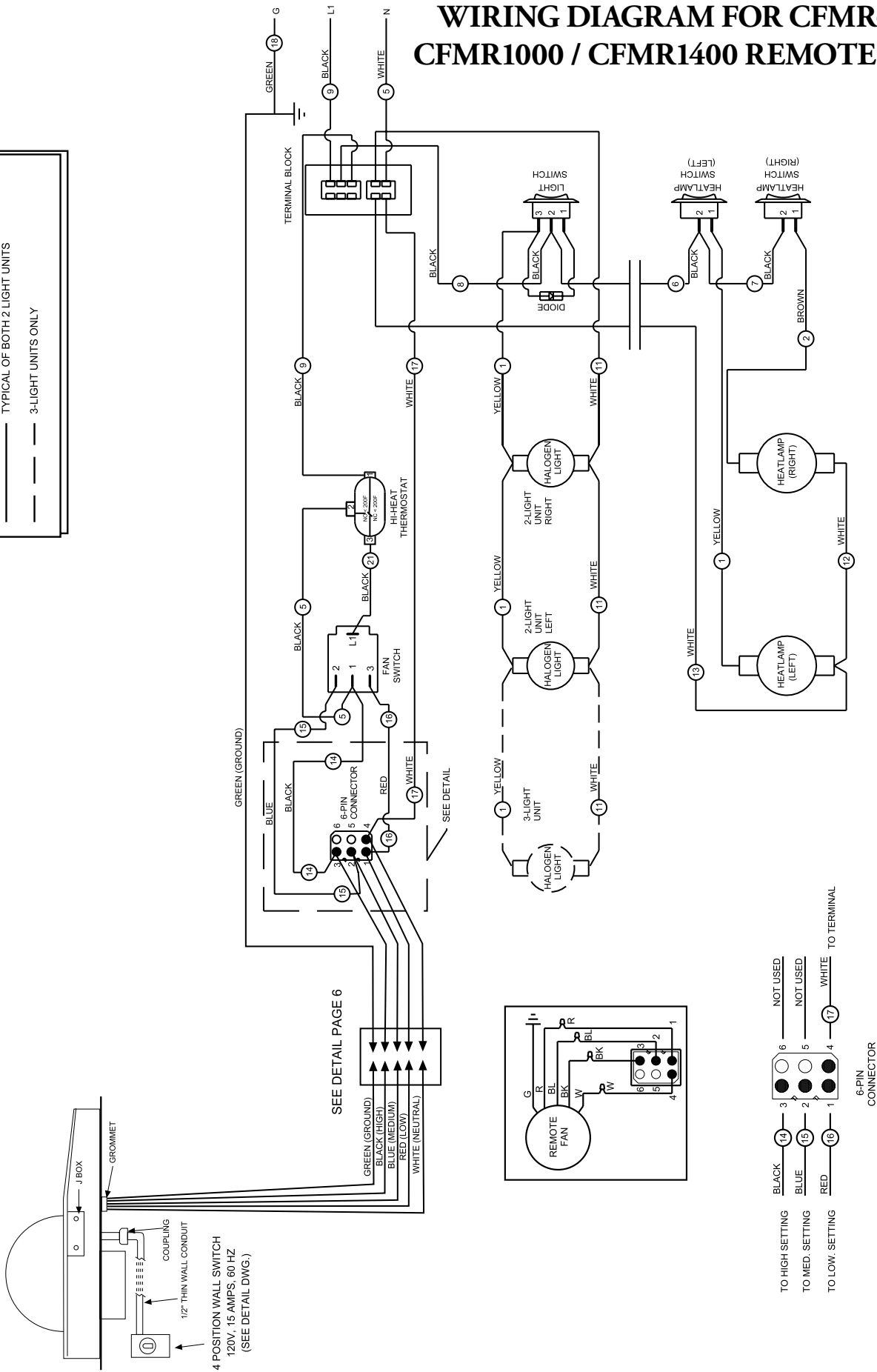
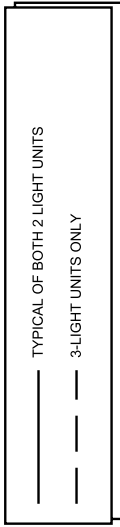
# WIRING A WALL-MOUNTED 3-SPEED FAN CONTROL

1. Use 4 Position switch. (OFF - LOW - MED - HIGH)
2. Power supply required for these ventilators is 15 amps. @ 120V. AC, 60Hz. connected per local codes.
3. Run three #14 AWG. wires (black, white and green) from the power supply at the electrical circuit panel to the wall box. (see Figure 7.)
4. Run electrical conduit per local code from wall box to bottom of remote fan as shown. (see Figure 7.)
5. Run five #14 AWG. wires in conduit between ventilator J-box and 4 position switch. Use color coded wires corresponding to colors as shown. (see Figure 7.)
6. Use wire nuts to connect wires as shown. (see Figure 7.)

## REMOTE FAN CONTROL SWITCH (3 SPEED) TYPICAL INSTALLATION MODEL RFC-3



# WIRING DIAGRAM FOR CFMR600 / CFMR1000 / CFMR1400 REMOTE FAN





## **INSTALLATION MUST COMPLY WITH ALL LOCAL CODES.**

### **KITCHEN VENTILATION TIPS**

1. Cooking Appliances such as Ranges, Cooktops, Barbecue Units, Grills, etc., require adequate ventilation. Hood should be large enough and Cooking Appliances located so that the Hood overhangs the Cooking Surface as much as possible.
2. Consult a competent Kitchen Designer or Ventilation Engineer for proper hood size and C.F.M. requirements.
3. Provide make-up air input to the kitchen so exhausted air is not drawn through the furnace unit or down through the chimney.
4. Locate the Cooking Area for minimum cross drafts, away from doors and windows, etc. when possible.
5. For best performance duct runs should be as short and as straight as possible. Where turns are necessary, keep turning radius as large and as smooth as possible.

### **⚠ WARNING - TO REDUCE THE RISK OF A RANGE TOP GREASE FIRE:**

- a) Never leave surface units unattended at high settings. Boilovers cause smoking and greasy spillovers that may ignite. Heat oils slowly on low or medium settings.
- b) Always turn hood ON when cooking at high heat or when cooking flaming foods.
- c) Clean ventilating fans frequently. Grease should not be allowed to accumulate on fan or filter.
- d) Always use cookware appropriate for the size of the surface element.

Prizer Hoods reserves the right to change specifications or design without notice. Some models are certified for use in Canada. Prizer Hoods is not responsible for products which are transported from the United States for use in Canada. Check with your local Canadian distributor or dealer.

